

**VESSEL**

***AIR IMPACT WRENCH  
GT-1700BX***

**Instruction Manual**

**CE**



**VESSEL Co., Inc.**



76, HAZEMIYA-MACHI 1-CHOME,  
FUKUCHIYAMA-SHI, KYOTO, JAPAN  
Tel:0773-27-1310  
Fax:0773-27-1340

GB: EC DECLARATION OF CONFORMITY	— Individual machinery and safety components
F : DECLARATION DE CONFORMITE NORME CE	— Machine seule et composants de sécurité
D : CE KONFORMITÄTSEKHLARUNG	— Gesamtmaschine und Sicherheitseinrichtungen
SP: DECLARACION DE CONFORMIDAD CE	— Maquinaria individual y componentes de seguridad
I : DICHIARAZIONE DI CONFORMITA CE	— Macchina singola e componenti di sicurezza
P : CE DECLARACAO DE CONFORMIDADE	— Maquinaria individual e dispositivos de segurança
NL: EG KONFORMITEITSVERKLARING	— Individuele machine en veiligheidscomponenten
DK: CE OVERENSSTEMMELSE DEKLARATION	— Enkle maskin og sikkerhedskomponenter
S : EG-DEKLARATION OM OVERENSSTÄMMELSE	— Individuella maskiner och säkerhetskomponenter
N : EF OVERENSSTEMMELSESEKHLARING	— Individuell maskine og sikkerhedsudstyr
FIN: VAATIMUSTENMUKAISUUSVAKUUTUS	— Erilliset koneistot ja turvalaitteet
G : EC ΔΗΛΩΣΗ ΣΥΜΜΟΡΦΩΣΗΣ	— Ατομικά μηχανήματα και εξαρτήματα ασφαλείας

We, **VESSEL CO., INC.** OSAKA JAPAN, declare under our sole responsibility that the products to which this declaration relates is in conformity with the following Machinery Directive and Standard: Machinery Directive 89/392/EEC, 91/368/EEC, 93/44/EEC, 93/68/EEC, 2006/42/EC (98/37/EC).

Model / Modele / Modelli / Modelo /  
Modello / Modelo / Model / Model /  
Typ / Model / Malli / Μοντέλο

**GT-1700BX**

Nous, **VESSEL CO., INC.** OSAKA JAPAN, déclarons sous notre responsabilité exclusive que le produit ci-dessous: est en conformité avec les exigences des déclarations communautaires concernant le rapprochement des législations des états membres relatives aux: Directives Machines 89/392/EEC, 91/368/EEC, 93/44/EEC, 93/68/EEC, 2006/42/EC (98/37/EC).

Wir, **VESSEL CO., INC.** OSAKA JAPAN, erklären hiermit unter alleiniger Verantwortung, daß das Produkt, auf das sich diese Erklärung bezieht, den Anforderungen der folgenden Maschinenrichtlinien und Standards entspricht: Maschinenrichtlinie 89/392/EEC, 91/368/EEC, 93/44/EEC, 93/68/EEC, 2006/42/EC (98/37/EC).

Nosotros, **VESSEL CO., INC.** OSAKA JAPAN, declaramos bajo nuestra sola responsabilidad, que el producto: al que se refiere esta declaración, está en conformidad con las siguientes Directivas y Standard de Maquinaria: Directiva Maquinaria 89/392/EEC, 91/368/EEC, 93/44/EEC, 93/68/EEC, 2006/42/EC (98/37/EC).

Noi, **VESSEL CO., INC.** OSAKA JAPAN, dichiariamo sotto la nostra unica responsabilità che il prodotto: cui questa dichiarazione si riferisce, è conforme alle seguenti Direttive: Direttiva Macchine 89/392/EEC, 91/368/EEC, 93/44/EEC, 93/68/EEC, 2006/42/EC (98/37/EC).

Nós, **VESSEL CO., INC.** OSAKA JAPAN, declaramos sob nossa exclusiva responsabilidade que os produtos: a que se refere esta declaração está em conformidade com os requisitos e padrões da Directiva de Maquinaria: Directiva de Maquinaria 89/392/EEC, 91/368/EEC, 93/44/EEC, 93/68/EEC, 2006/42/EC (98/37/EC).

Wij, **VESSEL CO., INC.** OSAKA JAPAN, verklaren onder onze exclusieve verantwoordelijkheid dat de artikelen op dewelke deze verklaring betrekking heeft, in overeenstemming zijn met volgende Machine Directieven en Standaarden: Machinery Directive 89/392/EEC, 91/368/EEC, 93/44/EEC, 93/68/EEC, 2006/42/EC (98/37/EC).

Vi, **VESSEL CO., INC.** OSAKA JAPAN, deklarerer under eneansvar at følgende produkter: som denne erklæring omhandler, er i overensstemmelse med følgende Maskin direktiv og standard: Machinery Directive 89/392/EEC, 91/368/EEC, 93/44/EEC, 93/68/EEC, 2006/42/EC (98/37/EC).

Vi, **VESSEL CO., INC.** OSAKA JAPAN, deklarerer under eget ansvar att produkten till vilken denna deklaration relaterar sig är i överensstämmelse med de krav som finns i Rådets direktiv 89/392/EEC, 91/368/EEC, 93/44/EEC, 93/68/EEC, 2006/42/EC (98/37/EC).

Vi, **VESSEL CO., INC.** OSAKA JAPAN, deklarerer under eget ansvar at følgende produkter som denne erklæring omhandler, er i overensstemmelse med følgende Maskindirektiv og standard: Machinery Directive 89/392/EEC, 91/368/EEC, 93/44/EEC, 93/68/EEC, 2006/42/EC (98/37/EC).

Me, **VESSEL CO., INC.** OSAKA JAPAN, vakuutamme oleavamme yksinomaissessa vastuussa siitä, että tämä tuote: johon tämä ilmoitus viittaa, on yhdenmukainen seuraavien koneidirektiivien ja standardien kanssa: Konedirektiivi 89/392/EEC, 91/368/EEC, 93/44/EEC, 93/68/EEC, 2006/42/EC(98/37/EC).

Εμείς, η **VESSEL CO., INC.** OSAKA JAPAN, δηλώνουμε ως: ευθύνη μας ότι τα προϊόντα στα οποία η δήλωση αυτή αναφέρεται, συμμορφώνονται με τις παρακάτω Κοινοτικές Μηχανολογικές Οδηγίες και Πρότυπα. Μηχανολογική Οδηγία 89/392/EEC, 91/368/EEC, 93/68/EEC, 2006/42/EC (98/37/EC).

Name of and position of issuer / Nom et fonction de l'émetteur / Name und Position des Erstellers / Nombre y cargo del expedidor / Nome e posizione del dichiarante / Nome e cargo do emissor / Naam en functie van de uitgever / Udsteder, navn og stilling / Udsteders navn og stilling / Utfärdarens namn och betättning / Ilmoituksen antajan nimi ja asema / Όνομα και θέση εκδότη

Yasushi Shiomi, Plant Manager

Signature of issuer / Signature de l'émetteur / Unterschrift des Erstellers / Firma del expedidor / Firma del dichiarante / Assinatura do emissor / Handtekening van de uitgever / Udsteder, underskrift / Udsteders signatur / Utfärdarens namnteckning / Ilmoituksen antajan allekirjoitus / Υπογραφή εκδότη

**VESSEL Co., Inc.**

*Yasushi Shiomi*

# VESSEL

EC DECLARATION OF CONFORMITY

## EC適合宣言書

Name of company VESSEL FUKUCHIYAMA CO.,LTD.  
社名 株式会社 ベツセル福知山

Address 76, HAZEMIYA-MACHI 1-CHOME FUKUCHIYAMA-SHI KYOTO 620-0856 JAPAN  
住所 京都府福知山市土師宮町1丁目76番

Declares, in sole responsibility, that the product  
独自の責任において、次の製品が

Model : GT-1700BX

Referred to this declaration conforms with the standard(s) or directive(s)  
as far as applicable:

適用可能な範囲において次の指令または規格に適合していることを宣言する。

Standard : EN-792-6 : 2000  
EN-12096  
ISO 20643 (ISO 8662-1)  
ISO 28927-2 (ISO 8662-7)  
ISO 15744

Machinery Directive 2006/42/EC (98/37/EC)

The company named above will keep on file for review the following technical  
Documentation:

上記の者は、以下の技術資料を査察に備え保持する。

- ・ Technical drawings 図面
- ・ Other technical documentation その他技術資料

Importer/Distributor

Kyoto Japan October 28th, 2007

(自筆サイン) *Yasushi Shiomi*

Yasushi shiomi  
Engineering Dept.  
VESSEL FUKUCHIYAMA CO.,LTD.

## CERTIFICATE OF INSPECTION

MODEL	GT-1700BX	SERIAL NO.	
-------	-----------	------------	--

We hereby certify that before shipment, above tool has been carefully inspected according to our factory engineering standard and the result has come out in satisfactory data. In order to maintain the best conditions of this tool, please be sure to take a few minutes to read through the instruction manuals and operate as recommended.

DATE

CHIEF INSPECTOR *Hiroyuki Adachi*

MANUFACTURED BY

**VESSEL Co., Inc.**

**Manufactured by:**

**VESSEL Co., Inc.**

17-25, Fukae-Kita 2-chome,  
Higashinari-ku, Osaka 537-0001 Japan  
Tel : +81 6 6976 7778 Fax : +81 6 6972 9441  
E-mail : [export@vessel.co.jp](mailto:export@vessel.co.jp)  
URL : <http://www.vessel.co.jp/english/>

Thank you very much for having purchased the "VESSEL Air Impact Wrench GT-1700BX."

Please read this manual carefully and understand its contents for the safe and correct use of the air tool.

## Description

The air impact wrench is a hand-held pneumatic tool that is driven by compressed air. It incorporates in itself the impact-driven rotation mechanism for tightening/loosening screws, bolts, nuts, and other fastening devices.

**Warning: Read these instructions carefully before operating, maintaining or servicing this tool.**

■ The following icons represent the degree of danger that can be induced by user's action or environment. Please observe all the instructions presented in this manual as they are important for personal and public safety.

⚠ Warning Indicates possibility of serious or fatal injuries when instructions are not followed.

⚠ Caution Indicates possibility of injuries or property damage when instructions are not followed.  
※ Depending on circumstances, failure to follow the instructions given in the "Caution" section could lead to serious consequences.

Please keep this manual for your ready reference.

In case this manual or any of the warning labels attached to the unit are lost or damaged, contact us or the local distributor for replacement.

Please make sure this manual be kept with the unit when it is handed over or lent out to a third party.

If you have any inquiries about this product or manual, please contact us or your local distributor.

**⚠ Warning Please read this manual carefully and understand the contents fully before use.**

**⚠ Warning ■ Compressed air management**

● **Specified air pressure should be applied.**

Excessive air pressure may lead to serious accidents or property damages. Install proper equipment including a pressure gauge and a reduction valve in order to keep the dynamic pressure at the tool end within the specified range.

● **Only compressed air should be applied.**

The air impact wrench is a tool driven by normal compressed air. There will be a risk of explosion if other high-pressure gases like oxygen, acetylene, and propane are used for the tool.

● **Choose the appropriate air hose.**

Use oil- and abrasion-resistant air hoses for the required air pressure and of the recommended inner diameter. Avoid using deteriorated or excessively long hoses.

● **Prevent air leakage.**

Make sure that air plugs be firmly attached to the air hose. If the air hose comes off due to loose connection, it will bounce around by the force of compressed air and may cause personal injuries or property damages.

**⚠ Warning ■ Work environment**

● **Keep the work area clean and bright.**

Dark or cluttered work environment leads to accidents. Keep the area tidy and well-lit.

● **Do not use the air tool in explosive atmosphere.**

This unit may create sparks, which may cause explosion.

**⚠Warning** ■ **Work clothes**

● **Wear appropriate work clothes.**

Do not wear baggy clothes, accessories, etc, which might be caught in revolving parts. Long hair should be tucked under a cap to keep it away from the tool.

● **Wear protective gears.**

Wear protective gears suitable for the task, including a helmet, protective goggles, earplugs, a dust mask, anti-vibration gloves and safety shoes, etc.

**⚠Warning** ■ **General precautions**

● **Beware of moving parts.**

Keep your hands and cloth away from the moving parts as they may be caught in them.

● **Keep a good posture while working.**

Keep a good posture and hold the tool firmly in case of an unexpected situation.

● **Avoid accidental start-up.**

Make sure the trigger is released before connecting the air hose to the unit. Be careful not to press the trigger when carrying the air tool.

● **Keep the tool away from electricity.**

The air tool is not insulated against electricity.

● **Stop using the tool if you notice any abnormalities.**

If you notice any abnormalities, stop using the tool immediately and contact us or your local distributor for maintenance, inspection, and repair.

**⚠Warning** ■ **Miscellaneous**

● **Use the tool only for its intended applications.**

It may lead to an unexpected accident if the tool is used for purposes other than those specified in the manual.

● **Do not attempt any modification.**

Do not modify the unit. Any modification will void the warranty and may cause a hazardous situation.

Also, do not use the tool if any of its parts or screws has been removed or missing. It may result in a hazardous situation.

● **Shut off the air supply and detach the air hose from the tool;**

- when the tool is not in use
- when the tool is kept in storage
- when maintenance is performed
- when the tool tip (bits / sockets) is replaced
- when there is any sign of danger or malfunction

**⚠Caution** ■ **Basic precautions for operating air tools**

● **Keep bystanders away.**

Do not let bystanders get close to your operation. Especially, children should be kept away.

● **Do not overload the air tool.**

If the tool is operated beyond the specified output range, it will damage the tool and lead to malfunction.

● **Beware of the exhaust port.**

Direct the exhaust air away from your eyes and ears. Otherwise, it can cause accidents or diseases as it contains oil and it may blow grit or other debris in your face.

● **Handle the tool / air hose with care.**

Do not throw or drop the tool. It may lead to damage or malfunction if it is handled roughly or forcefully.

Do not carry, raise or lower the tool by the air hose. Damaged hoses increase the risk of accidents.

● **Do not drop the tool from a high place.**

Equipment like a safety strap should be used to prevent the tool from falling when working at high places.

● **Store the tool in a safe place.**

If the tool is not to be used for a period of time, conduct maintenance and keep it in a safe, dry place. It should be kept out of the reach of children.

● **Be aware of laws.**

There are laws and regulations that may regulate or limit the use of this product. Please make sure that the use of this product does not violate any laws and regulations.

● **Take breaks.**

Continuous work without taking appropriate breaks could lead to illness, take breaks as required. If you feel abnormalities, such as pain, immediately stop using the tool and consult a physician.



**Caution ■ Maintenance, inspections and repairs**

● **Check before use.**

Make sure the unit has no loose screws/bolts and fittings and no damaged parts. If the unit is operated despite such problems, it could lead to a hazardous situation as well as decrease the performance.

Regular inspection and maintenance are necessary for safe and efficient performance of the tool.

● **Please contact us or the local distributor for repair or parts replacement.**

Never disassemble the unit or replace parts by yourself. Warranty on any of our products shall be void if defect is caused by abuse, neglect, improper repair, improper fit, or any use unintended by the manufacturer.

---

### How to use the tool

● **Remove the drain**

When moisture or impurities like rust in the pipe get into the mechanism, it may cause malfunction. Remove accumulated drain in the compressor before use. To secure dry air supply, install an air filter in order to prevent moisture and any impurities.

● **Use an appropriate air hoses**

Please refer to Specifications for choosing an air hose of the appropriate size for the applied air supply. If the internal diameter of the air hose is too small, sufficient power may not be obtained as air pressure cannot increase efficiently. It also happens when the hose is too long.

● **In cold areas**

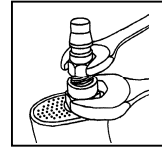
Moisture inside the tool may freeze in winter. Be sure to lubricate the tool to remove the moisture after use.

### ● Install the plug

Use a spanner of No. 19 to hold Air Inlet Bushing and fasten the plug.

### ● Air coupling

When using the air coupling included in the package, purchase a compatible connector. When connecting a hose directly to this product, purchase a hose connection coupling. In both cases, check the size of the connected hoses.



### ● Before the first operation after purchase

When this air tool has been newly installed or the air hose has been replaced, blow and clean the inside of the hose and piping. Then, idle the device for a few seconds because lubricant within the mechanism has to be blasted out with exhaust air.

### ● Lubrication

Lubricate the unit regularly for smooth operation of the motor part and to remove impurities. If you install a lubricator, it will lubricate the tool automatically. Or, you can lubricate manually from the air supply port before or after use. (ISO VG10 or equivalent hydraulic oil.)

Please idle the unit for several seconds after lubrication has been conducted because oil will be discharged with exhaust air. Do not idle the unit while a tip tool is attached.

### ● Tool tips (sockets / bits / extension bars, etc.)

Do not install a tip for hand tools. There will be a risk of accident as the tip may be destroyed. Be sure to use a tip for power tools.

### ● Tightening bolts/nuts

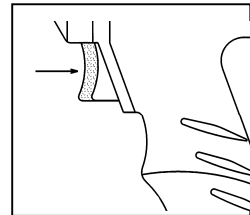
To tighten bolts/nuts, first tighten bolts/nuts by hand for a couple of thread pitches. After tightening is complete, immediately release the lever and stop the tool. Excessive tightening will cause bolts to be broken and life of the hammer parts to wear/tear quickly.

### ● When bolts/nuts cannot be loosened

In case bolts/nuts cannot be loosened or tightened as required, please adopt an impact wrench with a higher capacity.

### ● Starting and stopping

1. Connecting the air coupling.
2. Supply air with the compressor.
3. When the throttle lever is pulled or pushed, the function starts.
4. When the throttle lever is released (disengaged), the function stops.

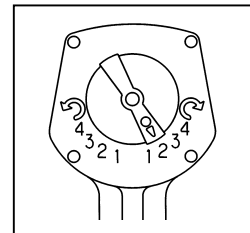


### ● Changing the direction of rotation.

When the right/left switch lever is set to "↻," it rotates clockwise. When it is set to "↺," it rotates counter clockwise.

Do not operate the rotation switch while pressing the throttle lever.

Torque adjustment is possible by aligning the right/left switch lever mark with the numbers. "1" is the minimum and "4" is the maximum.





## How to use

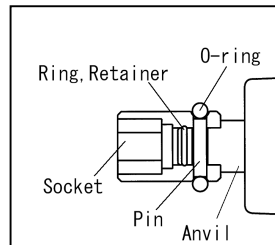
### ● Installing sockets.

There is a pinhole on the point of the anvil (Drive part).

Align the pinholes of the socket and anvil and attach the socket with the pin and O-Ring.

Install as shown in the figure.

If it is not securely attached, the socket or bit may detach and fly off. Do not attach the socket or bit when the tool is idling.



### Troubleshooting

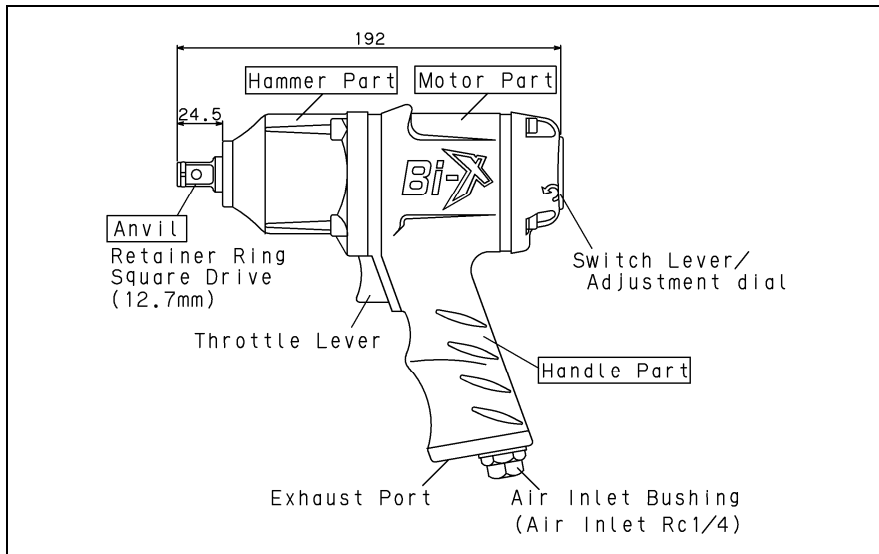
Trouble	Cause	Action
No rotation	Air is not provided.	Turn on the air.
	The hose is twisted.	Straighten the hose.
	Air pressure is low.	Adjust the air pressure.
	Parts are rusted due to a lack of lubrication.	Lubricate the unit.
	Dirt contamination.	Request overhaul
Rotation is uneven.	Malfunction (worn out / damaged, etc.) on motor and hammer.	Request for parts replacement
	Rate of air flow is inadequate.	Confirm air flow rate.
	Air pressure is low.	Adjust air pressure.
Rotation does not stop.	Parts are rusted due to a lack of lubrication.	Lubricate the unit.
	Change of shape of the Throttle Pin.	Request for parts replacement
	Change of shape of the Throttle Valve.	Request for parts replacement
	Breakage of throttle valve.	Request for parts replacement
Reverse Lever / Adjustment Valve is loose.	Contamination by a foreign substance in the throttle valve.	Request overhaul
	Stop spring is worn out, damaged or rusted.	Request overhaul
Reverse Lever / Adjustment Valve does not work.	Rust and dirt contamination.	Request overhaul
Socket is loose.	Breakage of socket pin.	Request for parts replacement
Air leakage	Trouble with the valve (O-ring damage, ball rust, or worn-out, damaged and rusted springs etc).	Request for parts replacement
Abnormal noise	Spare parts came loose.	Request overhaul
	Worn out and damaged bearings.	Request for parts replacement
	Damage to the hammer case and impact part.	Request for parts replacement
	Worn out and damaged rotor blade.	Request for parts replacement
	The rotor blade does not come out at rotating.	Request for parts replacement
	Run out of lubrication and oil.	Lubricate the unit.
It rotates without a load but with a load it does not rotate and the power decreases.	Parts of the hammer are damaged.	Request for parts replacement
Water comes out.	The drain is clogged.	Clean the drain.

## Specifications

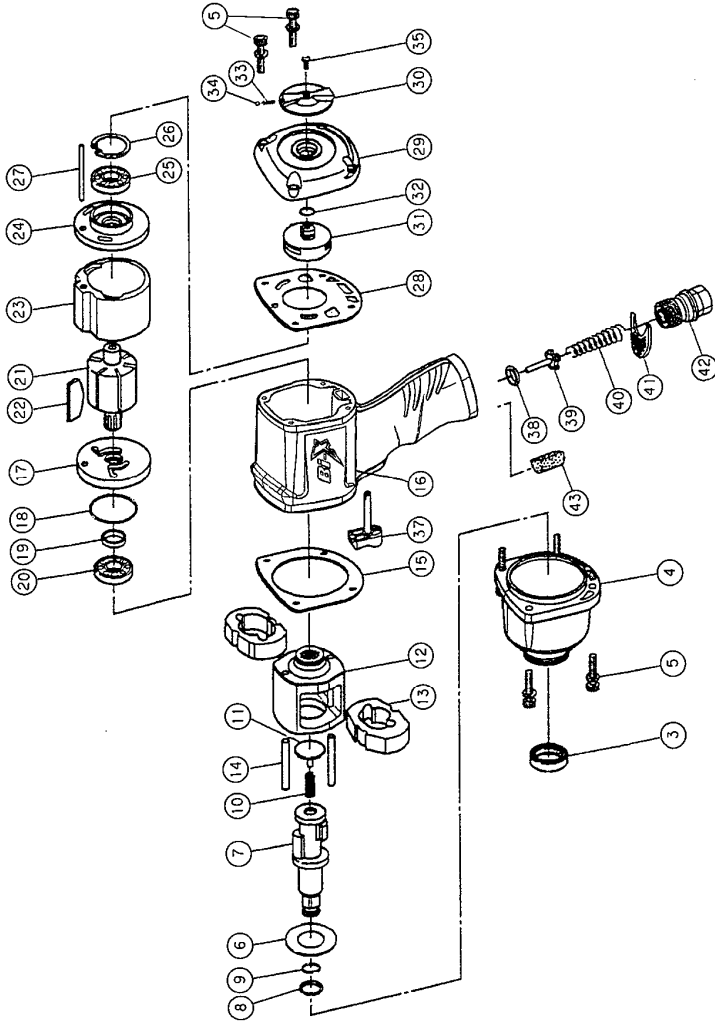
Square Drive Size [mm]	12.7
Capacity (Bolt Dia.) [mm]	16
Working Torque Range [Nm]	Right turn : 49-450 Left turn : 75-500
Max Torque [Nm]	Right turn : 480 Left turn : 540
Weight [kg]	2.2
Overall Length [mm]	192
Free Load [rpm]	Right turn : 7,000 Left turn : 8,000
Working Air Pressure [MPa]	0.6
Air Consumption [m <sup>3</sup> /min]	0.9
Air Compressor [kw]	0.75 bigger
Air Hose Inner Dia. [mm]	6.35
Sound Level [dB]	LPA 92.2
	LWA 103.2
Vibrations Level [m/s <sup>2</sup> ]	10.66
Uncertainty K [m/s <sup>2</sup> ]	0.77

CE DECLARATION OF CONFORMITY	
VESSEL CO.,INC.	FUKAEKITA2-17-25,HIGA SINARIKU,OSAKA,JAPAN
PRODUCT:	AIR IMPACT WRENCH
MODEL:	GT-1700BX
DIRECTIVE:	2006/42/EC(98/37/EC) EN 792
STANDARDS:	ISO 20643(ISO 8662-1) ISO 28927-2(ISO 8662-7) ISO 15744
declared vibration emission value in accordance with EN 12096	
DATE:	10/28/2007
APPROVED BY	Yasushi Shiomi

### Description



# Exploded diagram drawing & Parts list



Index No.	EDP No.	Description	Size	Number Required per unit
(3)	837803	Oil Seal	(Installed No. 4)	1
4	837804	Hammer Housing Complete		1
5	837805	Hex Cap Bolt (with Washer)	※No.10-24UNC × 22	8
6	837806	Washer, Thrust		1

## Exploded diagram drawing & Parts list

7	837807	Retainer Ring Anvil CP		1
<8>	837808	Ring, Retainer	(Installed No. 7)	1
<9>	837809	O- Ring, Retainer Ring	(Installed No. 7)	1
10	837810	Thrust Spring		1
11	837811	Retainer, Thrust Spring		1
12	837812	Frame, Hammer		1
13	837813	Hammer		2
14	837814	Pin, Hammer		2
15	837815	Front Gasket, Motor Housing		1
16	837816	Motor Housing	(Installed No. 50)	1
17	837817	Endplate Complete, Front		1
<18>	837818	O- Ring	※AS568-125 (Installed No. 17)	1
<19>	837819	Plate Oil Seal	(Installed No. 17)	1
<20>	837820	Bearing	※R-8 (Installed No. 17)	1
21	837821	Rotor		1
22	837822	Blade, Rotor		6
23	837823	Cylinder		1
24	837824	Endplate Complete, Rear		1
<25>	837825	Bearing	※R-8 (Installed No. 24)	1
<26>	837826	Stop Ring	※C28 (JISB2804) (Installed No. 24)	1
27	837827	Guide Pin		1
28	837828	Rear Gasket, Motor Housing		1
29	837829	Cover, Motor Housing	(Installed No. 51)	1
<30>	837830	Reverse/Regulator Lever	(Installed No. 51)	1
<31>	837831	Valve, Reverse Valve	(Installed No. 51)	1
<32>	837832	O-Ring, Reverse Valve Retainer	※P8(JISB2401) (Installed No. 51)	1
<33>	837833	Spring, Reverse Lever Retainer	(Installed No. 51)	1
<34>	837834	Ball, Reverse Lever Retainer	※φ 1/8 (Installed No. 51)	1
<35>	837835	Screw, Reverse Lever Retainer	※Tapping Screw 2 Type 4 × 10 (Installed No. 51)	1
<37>	837837	Throttle Lever	(Installed No. 50)	1
<38>	837838	Valve, Base	(Installed No. 50)	1
<39>	837839	Valve, Throttle	(Installed No. 50)	1
<40>	837840	Spring, Throttle Pin	(Installed No. 50)	1
<41>	837841	Exhaust Cover Plate	(Installed No. 50)	1
<42>	837842	Inlet Bushing	Rc1/4 (Installed No. 50)	1
<43>	837843	Exhaust Filter	(Installed No. 50)	1
50	837850	Motor Housing, Complete		1
51	837851	Motor Housing Cover, Complete		1

Parts with <> marked shall not be supplied individually even if ordered since it is an integrated component.

•The contents of this manual are subject to be changed without notice.

# VESSEL GT-1700BX 取扱説明書

このたびは「ベッセル・エアインパクトレンチ GT-1700BX」をお買い上げいただきまして、まことにありがとうございます。  
エアツールを安全に使用していただくために、ご使用前に必ず本書をよくお読みになり、内容を十分にご理解の上、  
正しくご使用ください。

## 製品説明

エアインパクトレンチは圧縮空気駆動式の手持ち空圧動工具です。ねじ、ボルト、ナット、その他ねじ部品を締めたり緩めるための衝撃回転機構が備わっています。

**△警告:** 下記項目内容を十分理解の上、本書をお読みください。

■安全上の注意事項は、次の見出しを掲げております。いずれも安全に関する重要な内容を記載していますので、必ずお守りください。

**△警告** 誤った取り扱いをした時に、使用者が死亡または重傷を負う可能性が想定される場合。

**△注意** 誤った取り扱いをした時に、使用者が障害を負う可能性が想定される内容、および物的損害のみの発生が想定される場合。

※「注意」に記載した事項でも、状況によっては重大な結果に結びつく可能性があります。

■本書はご使用される方が、いつでも利用できる場所に大切に保管し、繰り返しお読みください。

■本書および製品に貼付されている警告表示ラベルを紛失または汚損された場合は、弊社もしくはご購入の販売店を通じ、速やかにお取り寄せの上、正しく保管または貼付してください。

■当製品を譲渡もしくは貸し出される場合は、本書を必ず添付してください。

お買い上げの製品または本書の内容についてご質問がございましたら、弊社もしくは、お買い上げの販売店までお問い合わせください。

**△警告** ご使用前に必ず本書をよくお読みになり、内容を十分にご理解の上、正しくご使用ください。

**△警告** ■エアツールの作動環境は

●適正な空気圧力で使用してください。

指定空気圧力以上での使用は製品の破損・事故の原因となりますので、圧力計、減圧弁等を設置して、必ず適正な空気圧力(手元動圧)で使用してください。

●エアコンプレッサ以外の動力源を使用しないでください。

エアツールはエアコンプレッサによる圧縮空気を動力源とする工具です。圧縮空気以外の高圧ガス(酸素・アセチレンガス・プロパンガス等)を使用すると爆発の危険があります。

●適正なエアホースを使用してください。

エアホースは耐油性で外面が耐摩耗性を有し、規定内径以上の作業空気圧力に適合したものを使用してください。老朽化したものや極端に長いものは使用しないでください。

●エアホース取り付け具は確実に取り付けてください。

取り付け不備によりエアホースがはずれた場合、エアの噴射でエアホースが飛び回り非常に危険です。エアホース取り付け具はエアホースとエアツールに確実に取り付けてください。

### ⚠警告

#### ■作業環境は

##### ●作業場は十分に明るくし、いつもきれいに保ってください。

暗い作業場や散らかった作業場は事故の恐れがあります。照明等に留意し、整理整頓を心がけてください。

##### ●爆発の危険性のあるところでは使用しないでください。

エアツールは引火や爆発の恐れがある場所では、危険ですので使用しないでください。

### ⚠警告

#### ■作業時の服装は

##### ●きちんとした服装で作業してください。

ダブダブの服やネックレス等の装身具は着用せず、作業に適した服装で作業してください。

また、長い髪の毛がエアツールにかからないように、帽子等で覆ってください。

##### ●作業保護具を使用してください。

人体保護のため、作業に応じヘルメット、保護眼鏡、耳栓、防塵マスク、防振手袋、安全靴等の作業保護具を使用してください。

### ⚠警告

#### ■エアツールを使用する場合は

##### ●可動部に手や布きれ等を近づけないでください。

使用中は非常に危険ですので、可動部に手や布きれ等を絶対に近づけないでください。

##### ●無理な姿勢での作業は危険です。

エアツールを確実に保持し、突発的な動きにも対応できるようにして、安定した作業姿勢で作業を行ってください。

##### ●不意な始動を避けてください。

エアホースを接続する場合は、始動スイッチが停止位置になっているかを確認してください。

またエアツールを持ち運びする場合は、始動スイッチに手をかけないでください。

##### ●電気に対し接触させないでください。

エアツールは電気との接触に対し絶縁されていませんので、電気に対し接触させないように注意して使用してください。

##### ●異常を感じた場合は直ちに使用を中止してください。

使用中に異常を感じた場合は直ちに使用を中止して、点検・修理を依頼してください。

### ⚠警告

#### ■その他

##### ●指定された用途以外に使用しないでください。

指定用途以外への使用は事故の原因になりますので、絶対に行わないでください。

##### ●部品の取り外し、改造は絶対にしないでください。

取り付けのある部品やねじ類を取り外しての使用は、事故の原因になりますので、絶対に行わないでください。

改造を行っての使用は事故の原因になりますので、絶対に行わないでください。

##### ●危険が予想される場合はエアの供給を止め、エアホースをエアツールからはずしてください。

使用しない、または保守点検を行う場合や、先端工具の交換を行う場合、その他危険が予想される場合は、必ずエアの供給を止め、エアホースをエアツールからはずしてください。

### △注意 ■エアツール使用時の基本的な注意事項について

#### ●関係者以外は近づけないでください。

作業場所には作業関係者以外は近づけないでください。特に子供は危険です。

#### ●無理な使用は行わないでください。

過負荷での無理な使用は、エアツールの破損や故障の原因となりますので、能力以内で使用するようにしてください。

#### ●排気の方向には十分に注意してください。

事故や疾病の原因になりますので、排気が直接目や耳にあたらないように、排気方向に注意して使用してください。

#### ●エアツール、エアホースの取り扱いは丁寧に行ってください。

乱暴な取り扱いは事故や故障の原因となりますので、エアツールを投げたり落としたりして、衝撃を与えないようにしてください。エアホースをエアツールの支えや、上げ下げに使用しないでください。エアホースの破損は事故の原因となります。

#### ●高所作業はエアツールの落下に注意してください。

エアツールの落下による事故を防止するため、高所での作業時は安全ワイヤの使用等の落下防止策を講じてください。

#### ●保管にも十分な配慮を行ってください。

使用しない場合は、十分に手入れを行い、子供の手の届かない、乾燥した場所に保管してください。

#### ●騒音に関する法条例に注意してください

騒音に関し、法令および各都道府県等の条例で定める規制があります。周囲に迷惑をかけるない為規制値以下で使用する必要があります。必要に応じ遮音壁等を設けてください。

#### ●適当に休憩を行ってください。

長時間の連続作業は疾病等の原因となりますので、適当に休憩を行ってください。また痛み等、身体に異常を感じた場合は、直ちに使用を中止し、医師の診断を受け、その指示に従ってください。

### △注意 ■保守・点検・修理について

#### ●保守・点検を必ず実施してください。

使用前にねじ部の緩みや部品の損傷等がないか必ず点検してください。性能の低下や故障の原因となるばかりでなく、危険をともなう恐れがあります。

安全に効率良く作業していただくために、保守・点検を怠らないでください。

#### ●修理は弊社または弊社認定(指定)のサービス工場にご依頼ください。

修理は弊社または弊社認定(指定)のサービス工場に、お買い求めの販売店または代理店等を通じ、ご依頼ください。お客様の勝手な処置により、事故や不具合が生じた場合は責任を負いかねますので、あらかじめご了承ください。

## 使用方法

### ●ドレンの除去

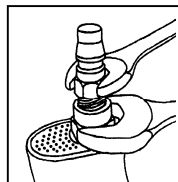
水分や配管内の錆などの不純物が当製品に入りますと、故障の原因となります。コンプレッサーに溜まったドレンは使用前後に必ず除去してください。また、乾燥した正常なエアを当製品に供給するため、必ずエアフィルターを取り付け水分と不純物を取り除いてください。

### ●ホースの選定

エア供給用のエアホースのサイズは仕様をご参照ください。エアホース内径が小さい、ホースが長すぎると圧力降下により十分な能力が発揮できません。

### ●プラグの取り付け

インレットブッシュをスパナ(19)で固定し、プラグを締め付けてください。



### ●エア継ぎ手

付属のエア継ぎ手を使用する場合は、互換性のあるエア継ぎ手をご購入の上、接続してください。当製品に直接ホースを取り付ける場合は、別途市販のホース接続継ぎ手をご購入ください。どちらも、接続するホースのサイズをお確かめください。

### ●購入後最初の始動

最初に本機を取り付ける時、ホースを取り替えた時は配管、ホース内のゴミを十分吹き去ってから本機を取り付けてください。その時、本機内のオイルが排気と共に吹き出すので数秒間空転を行ってください。

### ●給油

モーター部の潤滑と不純物排出のため、給油を行ってください。ルブリケータを配管に取り付けて自動滴下で供給すると便利です。または使用前と使用後にエア供給口より手差しで給油してください(使用オイル:ISO VG10相当の作動油)。手差しでの給油後、排気と共にオイルが吹き出すので数秒間空転を行ってください。(先端工具を付け、無負荷での空転は行わないでください。)

### ●先端工具(ソケット・ビット・延長棒等)

本機に使用する工具は、必ず動力工具用を使用してください。

### ●ボルト・ナットの締め付け

ボルト・ナットの締め付けは、手で1~2山入れてから本機で締めてください。締め付け完了後には直ちにレバーを離し、回転を止めてください。続けるとボルトがねじ切れたり、ハンマー部品の破損を早めます。

### ●ボルト・ナットが緩まない時

ボルト・ナットが緩まない、必要トルクに締まらない時は、より大きい能力のインパクトレンチが必要です。

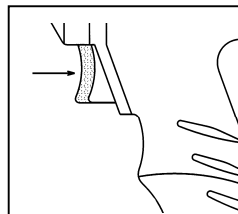
### ●寒冷地での使用

冬季は、内部に溜まった水分が凍結する場合がありますので、使用後に必ず注油し水分を除去後保管してください。

## 使い方

### ●始動と停止

1. エア継ぎ手を接続します。
2. コンプレッサーよりエアを供給します。
3. 始動レバーを引くと、作動します。
4. 始動レバーを戻す(離す)と、停止します。

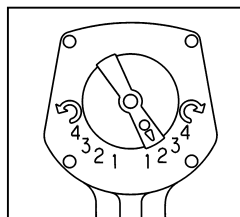




## 使用方法

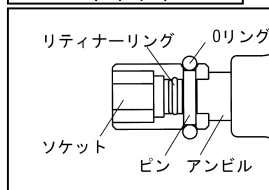
### ●回転方向、トルクの切り替え

左右切替レバーを「R」側に合わせると、右回転します。「L」側に合わせると、左回転します。始動レバーを引いている時に左右切替レバーを操作しないでください。左右切替レバーを数字の位置にあわせることでトルクを調整できます。「1」で最小、「4」で最大です。



### ●ソケットの取り付け

アンビルの先端(ロドライブ部)にピン穴があります。これはソケットのピン穴と位置を合わせてピンとリングで固定するためのものです。図の様に取り付けてください。確実に固定しないと、ソケットが外れ飛び出す場合があります。又、ソケットを付けての空転は絶対に行わないでください。



### エアツール・トラブルシューティング

症状	原因	処置
1. 回らない	エアがきていない	エアの開栓
	ホースがねじれている	ホースをのばす
	エア圧が低い	エア圧力調整
	注油不足による部品の錆	注油/分解調整
	ごみの混入	分解調整
	モーター部・ハンマー部の故障(磨耗・破損等)	部品交換
2. 回転にムラがある	エア流量が不足している	エア流量確認
	エア圧が低い	エア圧力調整
	注油不足による部品の錆	注油/分解調整
3. 回転が止まらない	始動レバーピンの変形	部品交換
	スロットルバルブ、バルブベースの変形・破壊	部品交換
	スロットル部に異物混入	分解調整
4. 切替レバーが固定されない	止スプリング、止ボールの磨耗・破損・錆	部品取り付け
5. 切替レバーで調整できない	錆・ごみの混入	分解調整
6. ソケットが固定できない	ソケットピンの破損	部品交換
7. エア漏れがする	バルブ部の異常(Oリング、スロットルバルブ、スプリングの磨耗・破損・錆)など	部品交換
8. 異音がする	各部の緩み	分解調整
	ベアリングの磨耗・破損	部品交換
	ハンマーケースや衝撃部の破損	部品交換
	ローター羽根の磨耗・破損・回転時にでない	部品取り付け
	注油・オイル切れ	注油/分解調整
9. 無負荷では回るが負荷時には止まったり力が落ちたりする	ハンマー部部品の摩耗・破損	部品交換
10. 水がでる	ドレンが溜まっている	ドレン除去

## 製品仕様

四角ドライブ [mm]	12.7
能力(普通ボルト) [mm]	16
トルク範囲 [Nm]	右回転 : 49-450 左回転 : 75-500
最大トルク [Nm]	右回転 : 480 左回転 : 540
重量 [kg]	2.2
全長 [mm]	192
無負荷回転速度 [rpm]	右回転 : 7000 左回転 : 8000
使用空気圧力 [MPa]	0.6
空気消費量 [m <sup>3</sup> /min]	0.9
使用コンプレッサー [kw]	0.75 以上
使用エアホース(内径) [mm]	6.35
騒音値 [dB]	$L_{PA}$ 92.2
	$L_{WA}$ 103.2
振動値 ahv [m/s <sup>2</sup> ]	10.66

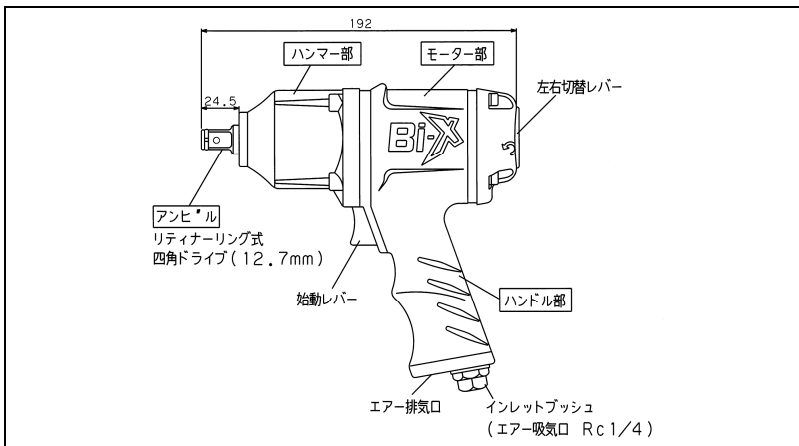
株式会社ベツセル	〒537-0001 大阪市東成区深江北 2丁目17番25号
製品名:	エアインパクトレンチ
機種名:	GT-1700BX
	2006/42/EC(98/37/EC)
振動測定規格:	JIS B 7761-1 JIS B 7761-3 JIS B 7762-7
$\text{日振動ばく露量 } A(8) = ahv \times \sqrt{\frac{T}{8}} \quad (\text{m/s}^2)$	
T=1 日のばく露時間(1日の実使用时间)	
騒音測定規格:	ISO15744

※振動値 ahv= 周波数補正振動加速度実行値  
の3軸合成値

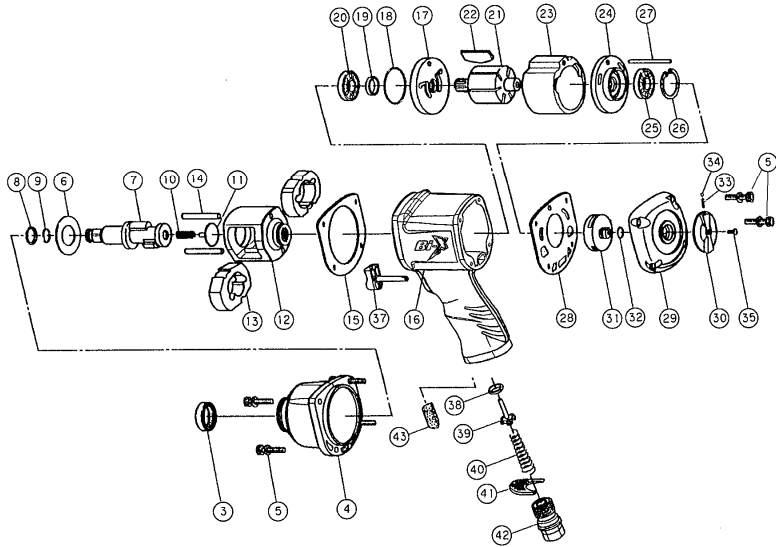
### 付属品

ベツセルコンセント (BPB-2)	1 個
L レンチ (対辺 4mm)	1 本

### 各部名称/外観図



# 分解図／部品表



部品番号	部品名称	サイズ	一台数量	部品番号	部品名称	サイズ	一台数量
〈3〉	オイルシール	(番号4に内蔵)	1	24	エンドプレート後 CP		1
4	ハンマーケース CP		1	〈25〉	ベアリング	※R-8(番号24に内蔵)	1
5	六角穴付ボルト(ワッシャ)	※No.10-24UNC×22	8	〈26〉	ストップリング	※C28(JISB2804)	1
6	スラストワッシャ		1	27	ガイドピン		1
7	リテーナーリング式アンピ		1	28	モーターケースパッキン後		1
〈8〉	リテーナーリング	(番号7に内蔵)	1	29	ケースカバー	(番号51に内蔵)	1
〈9〉	リテーナーリング Oリング	(番号7に内蔵)	1	〈30〉	左右切替レバー	(番号51に内蔵)	1
10	スラストスプリング		1	〈31〉	左右切替バルブ	(番号51に内蔵)	1
11	スラストスプリング受		1	〈32〉	左右切替バルブ Oリング	※P8(JISB2401)	1
12	ハンマーフレーム		1	〈33〉	左右切替レバー止スプリン	(番号51に内蔵)	1
13	ハンマー		2	〈34〉	左右切替レバー止ボール	※φ1/8 (番号51に内蔵)	1
14	ハンマーピン		2	〈35〉	左右切替レバー止ネジ	※皿タッピングネジ	1
15	モーターケースパッキン前		1	〈37〉	始動レバー	(番号50に内蔵)	1
16	モーターケース	(番号50に内蔵)	1	〈38〉	バルブベース	(番号50に内蔵)	1
17	エンドプレート前 CP		1	〈39〉	スロットバルブ	(番号50に内蔵)	1
〈18〉	Oリング	※AS568-125(番号17に内蔵)	1	〈40〉	スロットスプリング	(番号50に内蔵)	1
〈19〉	プレートオイルシール	(部品番号17に内蔵)	1	〈41〉	排気カバープレート	(番号50に内蔵)	1
〈20〉	ベアリング	※R-8(部品番号17)	1	〈42〉	インレットブッシュ	Rc1/4(番号50に内蔵)	1
21	ローター		1	〈43〉	排気フィルター	(番号50に内蔵)	1
22	ローター羽根		6	50	モーターケース CP		1
23	シリンダ		1	51	ケースカバー CP		1

注 〈 〉印につきましては内蔵部品ですので、ご注文の際はご注意ください。

※印部品は一般市販されております。市販品ご使用の際は品質のよいものをお選びください。

## アフターサービスについて…

1. 本機の性能、品質または取り扱いなどについてのお問い合わせの事項は、販売店（又は当社）へご連絡ください。
2. 修理に必要な部品は分解図に記載された部品番号、部品名を確認の上で要求してください。
3. 修理等は下図の経路でご送付ください。直接当社へ送付されるとかえって遅れますので避けてください。

ユーザー → 販売店 → 当社

- 本書の内容は予告なく変更することがあります。



振動発生  
の恐れ  
があります



保護眼鏡を  
着用してください



耳栓を  
着用してください



製品ご使用前に  
説明書を熟読してください

### 検査合格証

製造番号

本機は性能およびその他の出荷検査をした後出荷されております。  
本機が性能を発揮するために、この取扱説明書をよくお読みいただき、正しくご使用ください。

検査:



VESSEL Co., Inc.

# 株式会社ベッセル

お客様お問い合わせ窓口(企画開発部)

フリーコール **0120-999-914**

9:00-17:00 ※土・日・祝日は除きます

本社 〒537-0001 大阪市東成区深江北2丁目17番25号 TEL.06-6976-7771 FAX.06-6971-1309  
東京支店 〒143-0025 東京都大田区南馬込5丁目43番13号 TEL.03-3776-1831 FAX.03-3776-5607  
大阪支店 〒537-0001 大阪市東成区深江北2丁目17番25号 TEL.06-6976-7771 FAX.06-6971-1309  
名古屋営業所 〒457-0014 名古屋市南区呼続四丁目3番1号 TEL.052-821-9575 FAX.052-824-4167  
福岡営業所 〒812-0016 福岡市博多区博多駅南6丁目1番22号 TEL.092-411-5710 FAX.092-411-5770  
札幌出張所 〒065-0011 札幌市東区北11条東14丁目1番1号 TEL.011-711-5003 FAX.011-704-4725  
仙台出張所 〒984-0002 仙台市若林区卸町東1丁目2番10号 TEL.022-236-1567 FAX.022-232-7959  
広島出張所 〒733-0035 広島市西区南観音7丁目8-11 TEL.082-291-0106 FAX.082-295-1727

<http://www.vessel.co.jp/>